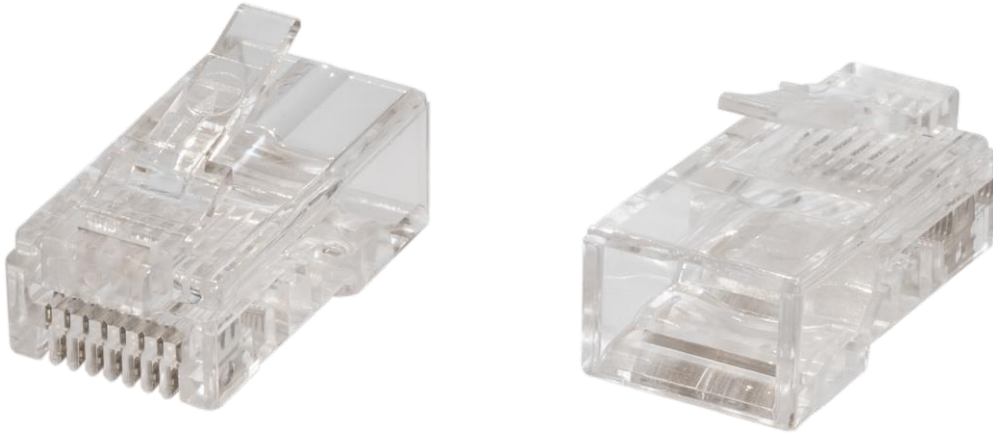


Category 5e *SPEEDY* RJ45 Plugs:



Category 5e Contractor Grade *SPEEDY* RJ45 Plug (PXSPDY5b): plugs are designed to simplify twisted pair terminations by allowing the wire pairs to be easily inserted through the plug and out of the front. This allows the installer to easily check the wiring order before crimping the connector. Twist is maintained more easily enabling a better performing crimp. Waste is minimised and the plugs are suitable for either stranded or solid wires.

Features:

- Each plug allows twisted pair wires to be inserted through the body and pulled out of the front to ensure the correct wiring order before crimping
- By pulling the cores into the plug, twists can easily be maintained up to the contacts, enabling fully rated terminations compliant with the patch cord standard TIA-568-C.2
- Three prong pin fits stranded or solid cores 23 – 26 AWG, with insulation OD 0.93 – 1.04mm
- Suitable for termination of UTP cables with sheath O.D. of 5.0 – 6.0mm
- Perfect solution for rapid termination
- Simple one-piece design
- Less cable scrap and wastage
- **N.B. Must be used with suitable crimp tool (e.g., our code TRCSPDY or TRCSPDY4)**
<https://tuk.co.uk/product/speedy-rj45-ratchet-crimp-tool/>
<https://tuk.co.uk/product/speedy-rj45-contractor-grade-crimp-tool/>

Specifications:

Weight (net weight including packaging)

- PXSPDY5b#10: 16g
- PXSPDY5b#100: 178g
- PXSPDY5b#200: 304g
- PXSPDY5b#500: 910g
- PXSPDY5b#1000: 1534g

Dimensions (in primary packaging)

- PXSPDY5b#10: 110 x 85 x 15mm
- PXSPDY5b#100: 260 x 190 x 50mm
- PXSPDY5b#200: 300 x 200 x 20mm
- PXSPDY5b#500: 360 x 250 x 100mm
- PXSPDY5b#1000: 370 X 260 X 80mm

- Operating temperature: -10°C to 60°C
- Housing colour: transparent
- Housing material: Polycarbonate UL94V-0
- 3 prong, Copper alloy, 50µ"/1.27µm Gold plated contact for solid or stranded cores
- Designed for use with flush strain relief boots PS6* and PSPDY6 (see <https://tuk.co.uk/product/flush-strain-relief-boots-2/> and <https://tuk.co.uk/product/transparent-flush-strain-relief-boots/>)

Packaging:

Supplied in polybags of 10 then 100 then 500. Also available with reduced packaging as bags of 200 then 1000

10: PXSPDY5b#10 (Category 5e)

100: PXSPDY5b#100 (Category 5e)

200: PXSPDY5b#200 (Category 5e) (Supplied loose in bag)

500: PXSPDY5b#500 (Category 5e)

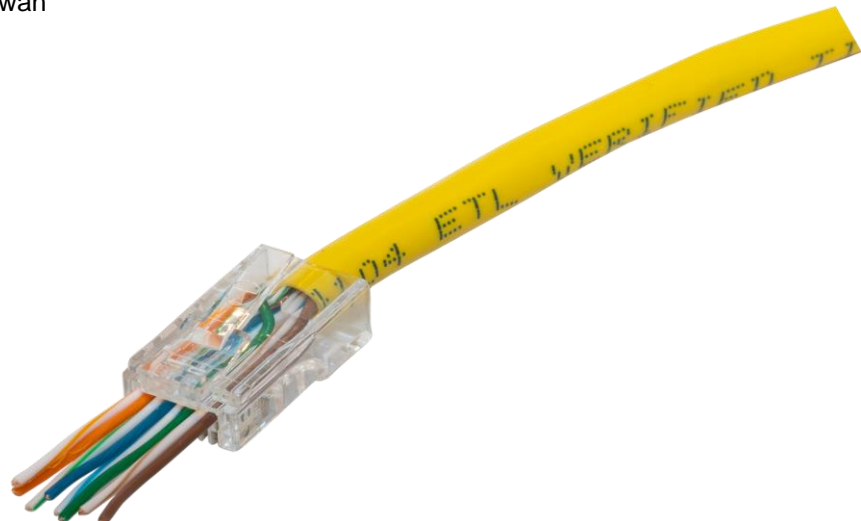
1000: PXSPDY5b#1000 (Category 5e) (Supplied in polybags of 200)

EAN: PXSPDY5b#10: 5055386510372
PXSPDY5b#100: 5055386510389
PXSPDY5b#200: 5055386510396
PXSPDY5b#500: 5055386510402
PXSPDY5b#1000: 5055386510419

Commodity Code: 85444920

Country of Origin: Taiwan

Illustrative Images:

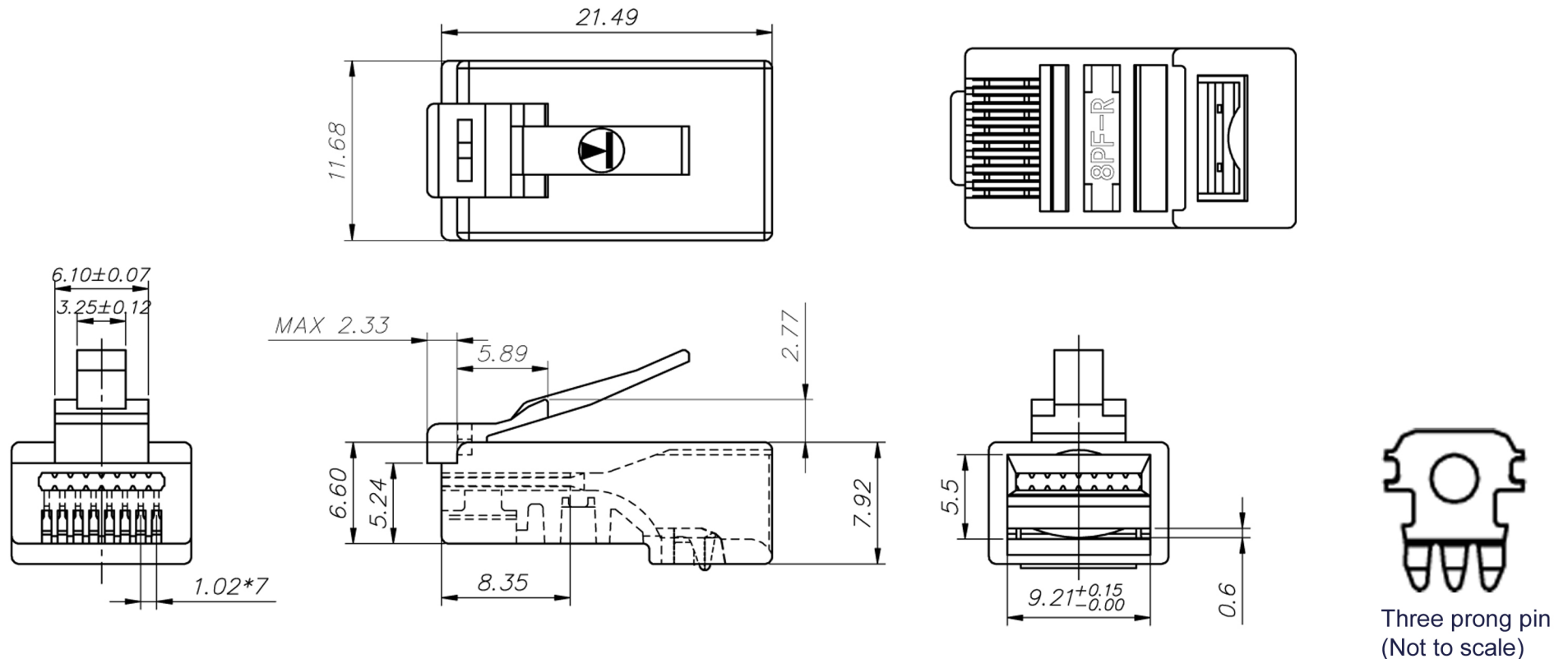


12/12/2022



ROHS Compliant

Code: PXSPDY5b



SPECIFICATIONS:

1. ELECTRICAL:

- UL Applications: 250 Volts AC Max. at 2 Amps.
- Dielectric withstanding voltage: 1000 Volts AC. 60 seconds
- Insulation Resistance: 50M Ω
- Contact Resistance: 20m Ω Max.
- Operating ambient temperature: -40°C ~ 70°C

2. MECHANICAL:

- Strain Relief: 20lb (9.07kg) min.
- Durability: 1000 mating cycles

3. MATERIALS:

- Housing: Polycarbonate UL94V-0
- Colour: Transparent
- Contact blade: Copper alloy
- Gold plating: 50 μ "/1.27 μ m

4. USAGE:

- Three prong pin fits stranded or solid cores 23 – 26 AWG, with insulation OD 0.93 – 1.04mm
- Suitable for cable O.D. 5.0 - 6.0mm



12/12/2022