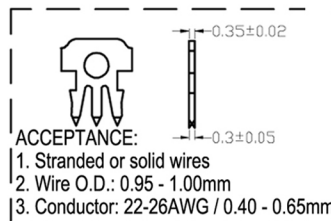
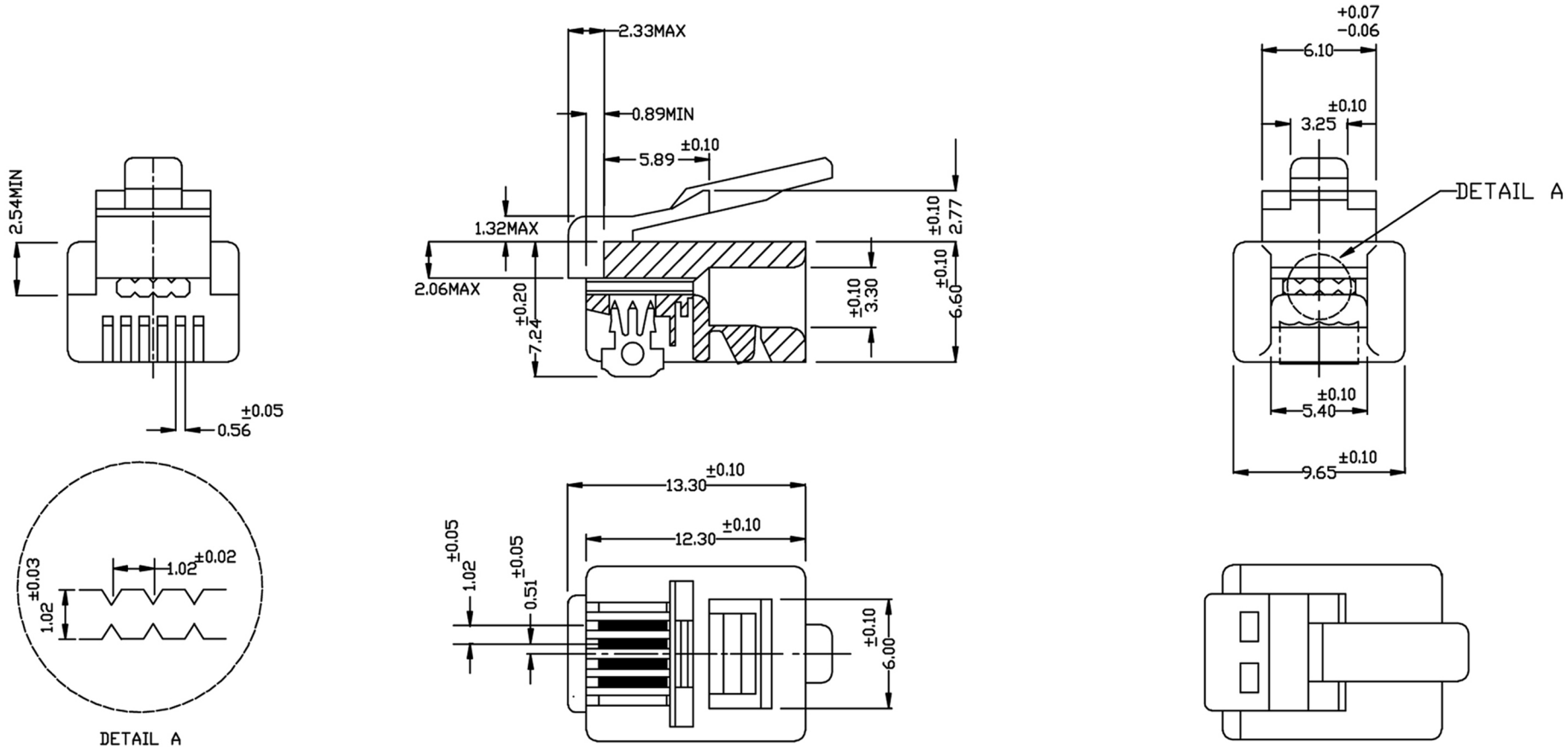


ROHS Compliant

Code: PXSPDY11



1. Materials:

Housing plastic: Polycarbonate UL 94-V0

Contact pin: 50μ"/1.27μm gold plated over nickel phosphor bronze

2. Contact resistance: 30 milliΩ max.

3. Insulation resistance: DC 300V, 100 megaΩ min.

4. Dielectric withstanding voltage: 300V, AC for 1 minute

5. Working temperature: 25°C ~ 55°C

6. Durability: 1000 mating cycles min.

7. Tensile strength between plug and jack is higher than 7.7kgf

